

Aria Slim™ Stone

ARTISAN MASONRY STONE VENEERS®



ECHELON™

Quality masonry products from Oldcastle®



The long, clean lines of Aria Slim™ Stone deliver a distinctive linear aesthetic perfect for interior or exterior commercial applications. Available in a range of contrasting colors and textures, its sleek profile can easily be mixed with other materials to achieve a unique, contemporary look that sets your project apart.

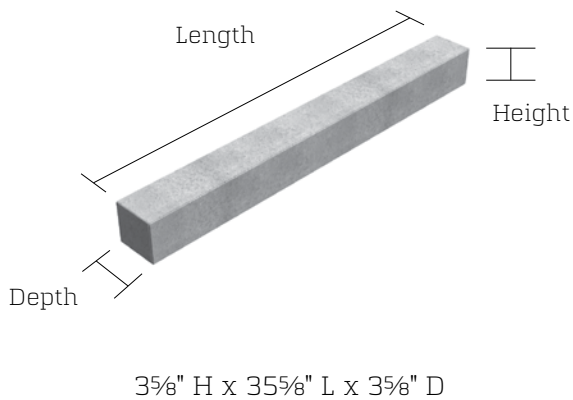
Features & Benefits

- Exclusive 36" long veneer design delivers long, clean sight lines
- Full 3 $\frac{5}{8}$ " bed depth provides durability
- Longer dimension reduces installation time
- Same unit used for both facades and corners

Colors & Textures

| | Alabaster | Buff | Graphite | Limestone | Midnight |
|---------------------|---|---|---|--|---|
| Ground Face |  |  |  |  |  |
| Shot Blast |  |  |  |  |  |
| Ground + Sealed |  |  |  |  |  |
| Shot Blast + Sealed |  |  |  |  |  |

Shape & Size



Technical Information

| | |
|------------------------------|--------------------|
| Minimum compressive strength | 4,000 psi |
| Maximum absorption rate | Average 6% |
| Minimum density | 120 lbs. / cu. ft. |

ASTM C1634 - Specification for Solid Dry-cast, Concrete Facing Units
All tests performed in accordance with ASTM C140

Packaging Information

| | |
|---------------------------------|--------------|
| Pallet size | 38" x 48" |
| Cube height | 31" |
| Units/layer | 9 pieces |
| Units/pallet | 63 pieces |
| Weight per unit | ~ 34 lbs |
| Pallet weight | ~ 2447lbs |
| Surface coverage with mortar | 63 sq. ft. |
| Surface coverage without mortar | 56.5 sq. ft. |



Oldcastle APG
A CRH COMPANY

Oldcastle APG, Inc.
3 Glenlake Pkwy, FL. 12
Atlanta, GA 30328
EchelonMasonry.com